



Type(s)
Project
Date
Notes

OVERVIEW

Fixture Overview

The SolaWash 2000 delivers high-intensity output that can outperform even the most powerful arc-source instruments. Built for the largest lighting applications, the SolaWash 2000 luminaire is truly a wash light with no compromises. The fixture uses a 600-watt LED source, multiple color and effects systems, and an incredibly versatile zoom range for revolutionary new lighting looks.

Applications

- Arenas and stadiums
- Theatres and Opera houses
- Concert halls and performing arts centers
- Film and television broadcast studios
- Houses of worship
- Nightclubs and special events

Product Features

- White LED engine
- 600 W Ultra-Bright engine producing 20,000 field lumens or High CRI engines featuring incredibly accurate color rendering in 6500 K
- Full framing shutter system
- CMY/CTO - Linear color mixing system
- Dual color wheels one with twelve total dichroic color chips
- Dual Linear Frost systems for light and heavy frost
- Iris
- Sharp edge focus throughout 5°–50° zoom range
- Patented Lens Defogger

ORDERING INFORMATION

SolaWash 2000

| Model | Description |
|----------|--|
| H7010035 | SolaWash 2000 fixture, Ultra-Bright, black, with Road Case |
| H7010036 | SolaWash 2000 fixture, High CRI, 6500 K, black, with Road Case |

Color Options: Fixtures ship standard in black. White available by request
Included Accessories: Fixture includes two (2) Omega brackets and one (1) fixture power cord, bare ends to powerCON® TRUE1® input

Accessories

| Model # | Description |
|-------------|---|
| 7410B7037-A | Fixture Power Cord upgrade, Edison to powerCON |
| 7410B7037-B | Fixture Power Cord upgrade, Stage Pin to powerCON |
| 7410B7037-C | Fixture Power Cord upgrade, L620 to powerCON |
| 67040007 | MegaClaw™ |
| 55040014 | Cheeseborough 2" Alloy 1/2 Coupler Truss Clamp |
| 67040010 | Mini-Claw™ |



PRODUCT SPECIFICATIONS

Source

| | | |
|---------------------------|---------------------------|-------------------|
| Engine | Ultra-Bright White Engine | High CRI - 6500 K |
| LED Details | 600 W | 600 W |
| Max Field Lumens | 26,000 | 20,000 |
| LPW | 43 | 33 |
| LED Life | 50,000 hrs | 50,000 hrs |
| Native CCT | 7400 K | 6500 K |
| Transferable Light Engine | Yes | Yes |

Color

| | |
|-------------------|--|
| Color Mixing | CMY CTO - Linear |
| Color Temperature | Variable down to 2800 K |
| Color Wheel | Six (6) fixed dichroic chips plus open Six (6) replaceable dichroic chips plus open |

Optical

| | |
|--------------------------|--|
| Beam angle range | 5°–50° |
| Gate size | 30 mm (1.2 in) |
| Aperture size | 120 mm (4.7 in) |
| Frost | Dual flag system with light and heavy frost medium |
| Framing | Four-plane, full-curtain framing system with 90° module rotation |
| Flicker control/Hz range | 2.4 kHz |
| Iris | 16-blade iris |

Control

| | |
|---------------------|--|
| Input Method | DMX (5-pin), DMX (3-pin) |
| Protocols | DMX via RS-485 |
| Modes (Footprint) | One (36) |
| RDM Functions | Yes |
| UI Type | Full color graphical UI with 6 button navigational control |
| Local Control | Yes |
| Dimming Performance | 16-bit, DMX controlled |

Electrical

| | |
|------------------------------|-----------------------|
| Voltage Range | 100–240 VAC, 50–60 Hz |
| Input Method | powerCON 20 A |
| Wattage (Standard/+Defogger) | 900 / 950 W |
| Current (Max) | 9.5 A @ 100 V |

Thermal

| | |
|------------------------|---|
| Ambient operating temp | 0° to 45°C (32° to 113°F) |
| Fan | Three modes: Normal, Continuous, and Studio |
| Stationary dBA | Standard Fan Mode - 38 dBA |
| Lens Defogging | Patented Lens Defogger included |

Physical

| | |
|----------------------|--|
| Pan and Tilt Range | 540° pan, 252° tilt |
| Max Pan/Tilt Speed | Pan: 3.25 sec. for 360°; Tilt: 2.46 sec. for 252° |
| Materials | Steel and aluminum frame with molded plastic covers |
| Color Options | Black, white by request |
| Mounting Options | Any orientation |
| IP Rating | IP20 |
| Weight | 42 kg (92 lb) |
| Included Accessories | powerCON 20 A to bare end fixture tail Two (2) clamp brackets Safety cable |

Warranty

| | |
|------------------|--|
| Fixture Warranty | Five (5) years for light engine Two (2) years for complete fixture |
| Warranty Details | etcconnect.com/Support/Warranty.aspx |

Regulatory & Compliance

| | |
|---|--|
| Regulatory Standards | Listed to UL 1573 Certified to CSA STD. C22.2 No: 166 CE |
| CE compliance declared to these standards | Safety: EN 60598-1, EN 60598-2-17 EMC: EN 55015, EN 61547, EN 61000-3-2, EN 6100-3-3 |
| Complies to the ROHS directive | Yes |

Safety

| | |
|--------|--|
| Safety | Minimum distance to illuminated surface = 1.5 m (4.9 ft) Minimum distance from fixture head to combustible materials = 1.0 m (3.3 ft) |
|--------|--|

Note: All LED sources experience some lessening of light output and some color shift over time. LED output will vary with thermal conditions. Thermal conditions can be affected by ambient temperatures and orientation.

OPTICAL INFORMATION

Fixed Color Wheel Details

| | |
|-----------|-------------------------|
| Shape | Interchangeable wedge |
| Materials | 1.1 mm glass Borofloat® |

| | |
|--|--------------|
|  | 1 - Red |
|  | 2 - Blue |
|  | 3 - Green |
|  | 4 - Orange |
|  | 5 -Purple |
|  | 6- Dark Blue |

Replaceable Color Wheel Details

| | |
|-----------|------------------------|
| Shape | Interchangeable wedge |
| Materials | 1.1 mm glass Borofloat |

| | |
|--|-----------------|
|  | 1 - Magenta |
|  | 2 - Pink |
|  | 3 - Minus Green |
|  | 4 - CBT - 1 |
|  | 5 - CBT - 2 |
|  | 6- Amber |

PHOTOMETRIC INFORMATION

SolaWash 2000 - Ultra-Bright

| | Degree | Candela | Field Lumens | Power Usage | Lumens Per Watt |
|--------|--------|-----------|--------------|-------------|-----------------|
| Narrow | 5 | 1,143,800 | 17,045 | 600 W | 29 |
| Medium | 26 | 176,100 | 19,403 | 600 W | 33 |
| Wide | 50 | 46,500 | 26,000 | 600 W | 44 |

Narrow - 5°

| Throw Distance | 10ft 3.0m | 25ft 7.6m | 50ft 15.2m | 100ft 30.5m | 200ft 61m |
|-------------------|---------------|---------------|---------------|----------------|----------------|
| Field Diameter | 0.9ft 0.3m | 2.2ft 0.7m | 4.4ft 1.3m | 8.7ft 2.7m | 17.5ft 5.3m |
| Illuminance (fc) | 15,312 | 2,450 | 613 | 154 | 39 |
| Illuminance (lux) | 164,754 | 26,361 | 6,590 | 1,648 | 412 |

Medium - 26°

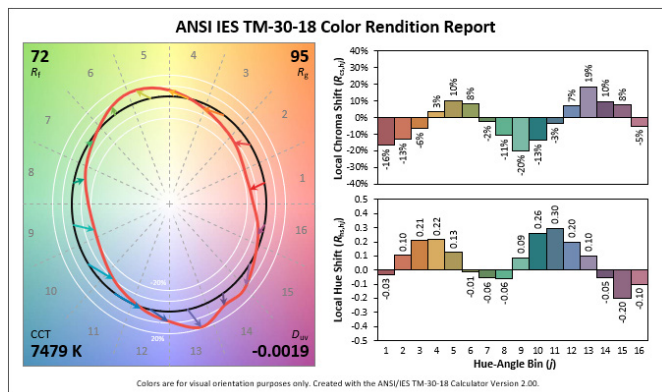
| Throw Distance | 10ft 3.0m | 25ft 7.6m | 50ft 15.2m | 100ft 30.5m | 200ft 61m |
|-------------------|---------------|----------------|----------------|-----------------|-----------------|
| Field Diameter | 4.6ft 1.4m | 11.5ft 3.5m | 23.1ft 7.0m | 46.2ft 14.1m | 92.3ft 28.2m |
| Illuminance (fc) | 1,761 | 282 | 71 | 18 | 5 |
| Illuminance (lux) | 18,947 | 3,032 | 758 | 189 | 47 |

Wide - 50°

| Throw Distance | 10ft 3.0m | 25ft 7.6m | 50ft 15.2m | 100ft 30.5m | 200ft 61m |
|-------------------|---------------|----------------|-----------------|-----------------|------------------|
| Field Diameter | 9.3ft 2.9m | 23.3ft 7.1m | 46.6ft 14.2m | 93.3ft 28.4m | 186.5ft 56.9m |
| Illuminance (fc) | 1,025 | 164 | 41 | 11 | 3 |
| Illuminance (lux) | 6,020 | 963 | 241 | 60 | 15 |

To determine center beam illumination in footcandles at any throw distance, divide candela by the throw distance squared.

Metric conversions: For meters, multiply feet by 0.3048.
For lux, multiply footcandles by 10.76.



Additional Color Metrics

| | SolaWash 2000 Ultra-Bright Engine |
|---------------------|-----------------------------------|
| CRI R_a (R_g) | 73.5 (-10.9) |
| TLCI | 50 |

SolaWash 2000 - High CRI 6500 K

| | Degree | Candela | Field Lumens | Power Usage | Lumens Per Watt |
|--------|--------|---------|--------------|-------------|-----------------|
| Narrow | 5 | 879,800 | 13,112 | 600 W | 22 |
| Medium | 26 | 135,500 | 14,925 | 600 W | 25 |
| Wide | 50 | 35,800 | 20,000 | 600 W | 34 |

Narrow - 5°

| Throw Distance | 10ft 3.0m | 25ft 7.6m | 50ft 15.2m | 100ft 30.5m | 200ft 61m |
|-------------------|-----------------|-----------------|----------------|-----------------|-----------------|
| Field Diameter | 2.17ft 0.66m | 4.33ft 1.32m | 6.5ft 1.98m | 8.66ft 2.64m | 10.83ft 3.3m |
| Illuminance (fc) | 8,797 | 1,407 | 352 | 88 | 22 |
| Illuminance (lux) | 94,664 | 15,146 | 3,787 | 947 | 237 |

Medium - 26°

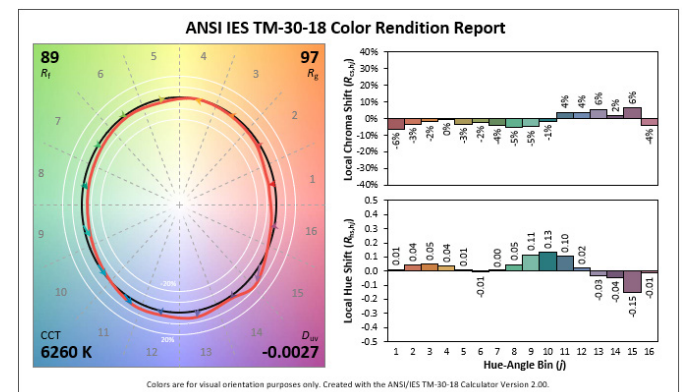
| Throw Distance | 10ft 3.0m | 25ft 7.6m | 50ft 15.2m | 100ft 30.5m | 200ft 61m |
|-------------------|---------------|----------------|----------------|-----------------|-----------------|
| Field Diameter | 4.6ft 1.4m | 11.5ft 3.5m | 23.1ft 7.0m | 46.2ft 14.1m | 92.3ft 28.2m |
| Illuminance (fc) | 1,355 | 217 | 55 | 14 | 4 |
| Illuminance (lux) | 14,575 | 2,332 | 583 | 146 | 36 |

Wide - 50°

| Throw Distance | 10ft 3.0m | 25ft 7.6m | 50ft 15.2m | 100ft 30.5m | 200ft 61m |
|-------------------|---------------|----------------|-----------------|-----------------|------------------|
| Field Diameter | 9.3ft 2.9m | 23.3ft 7.1m | 46.6ft 14.2m | 93.3ft 28.4m | 186.5ft 56.9m |
| Illuminance (fc) | 358 | 58 | 15 | 4 | 1 |
| Illuminance (lux) | 3846 | 615 | 154 | 38 | 10 |

To determine center beam illumination in footcandles at any throw distance, divide candela by the throw distance squared.

Metric conversions: For meters, multiply feet by 0.3048.
For lux, multiply footcandles by 10.76.



Additional Color Metrics

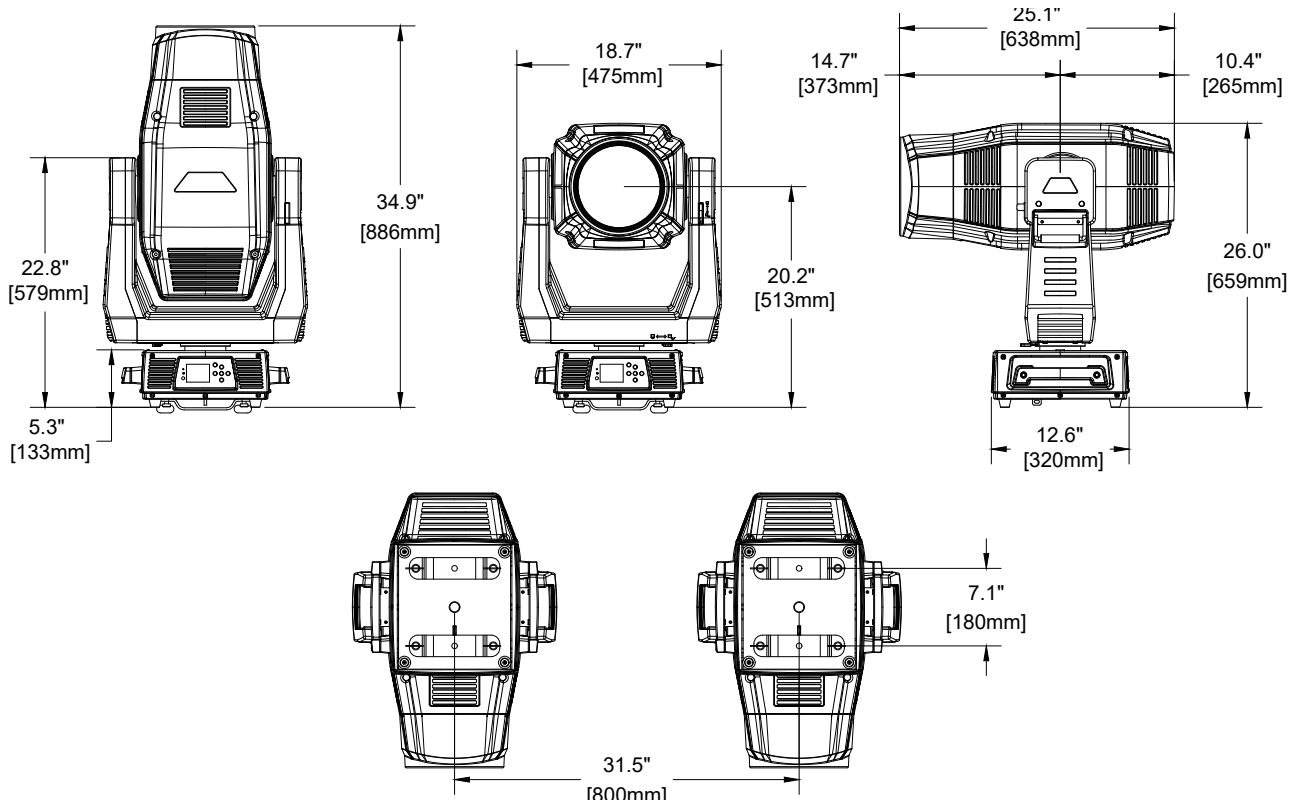
| | SolaWash 2000 High CRI 6500 K |
|---------------------|-------------------------------|
| CRI R_a (R_g) | 92.1 (63.3) |
| TLCI | 88 |

PHYSICAL INFORMATION

SolaWash 2000 Dimensions

| Model | Height | | Width | | Depth | | Weight | |
|---------------------------|--------|-----|-------|-------|-------|------|--------|-------|
| | in | mm | in | mm | in | mm | lb | kg |
| SolaWash 2000* | 34.9 | 886 | 15.3 | 389 | 12.6 | 320 | 92 | 42 |
| SolaWash 2000 in Roadcase | 30 | 726 | 22 | 558.8 | 40 | 1016 | 200 | 90.72 |

*Does not include mounting hardware



SolaWash 2000 Power Table

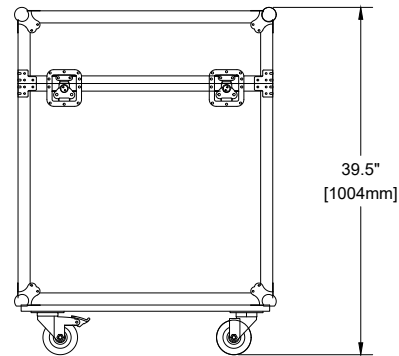
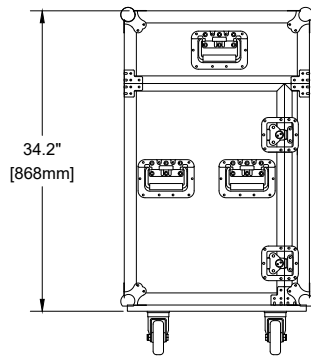
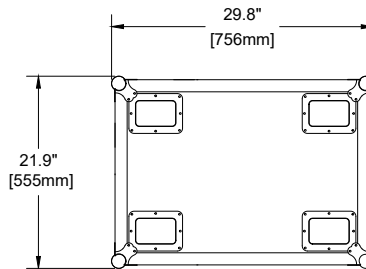
| VAC | Amps | Hz | Watts | VA | PF |
|-----|------|----|-------|-----|------|
| 100 | 9.5 | 50 | 948 | 958 | 0.99 |
| 120 | 7.8 | 60 | 933 | 938 | 0.99 |
| 200 | 4.6 | 50 | 900 | 918 | 0.96 |
| 208 | 4.4 | 60 | 899 | 926 | 0.97 |
| 220 | 4.2 | 50 | 899 | 934 | 0.96 |
| 230 | 4.1 | 50 | 900 | 936 | 0.96 |
| 240 | 3.8 | 60 | 875 | 934 | 0.96 |

ADDITIONAL ORDERING INFORMATION

Additional Accessories

| Model | Description |
|----------|--|
| 80560060 | Optional TM-30 Filter (not installed) |
| H7500001 | Extra Omega clamp brackets |
| 12040001 | Galvanized safety cable with spring snap |

Roadcase Dimensions



Corporate Headquarters • Middleton, WI USA

Global Offices • London, UK • Rome, IT • Holzkirchen, DE • Paris, FR • Hong Kong
Dubai, UAE • Singapore • New York, NY • Orlando, FL • Los Angeles, CA • Austin, TX

Copyright©2021 ETC. All Rights Reserved. All product information and specifications subject to change. Rev F 2021-04

*Trademark and patent info: etconnect.com/IE

etconnect.com